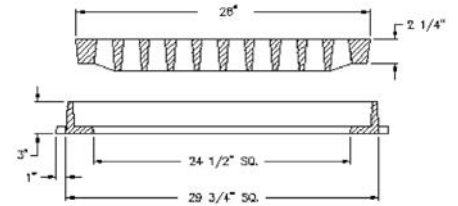


V-5775 FRAME & GRATE

Heavy duty
Approximate 326 sq. in. open area



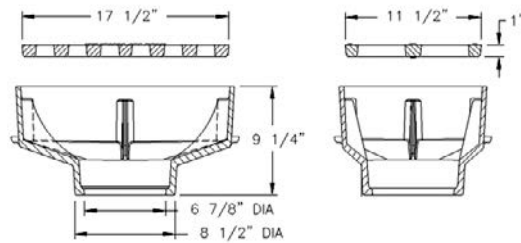
5810 CATCH BASIN INLET

Heavy duty
Approximate 52 sq. in. open area

Options
Ductile iron
Special lettered covers



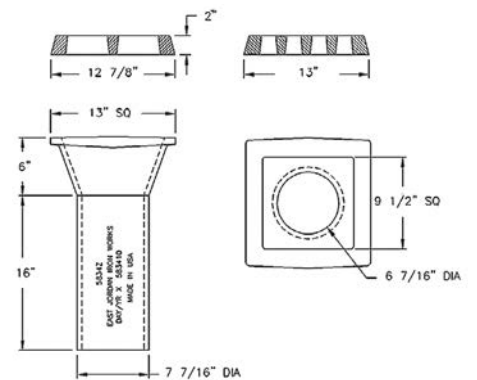
Section view of inlet



5834 ELEVATED & BRIDGE DRAIN INLET

Heavy duty
Bridge drain
With 5826 grate
Approximate 48 sq. in. open area

Options
Available with 4 – 1/2" x 13 tapped holes
furnished 2" up from bottom



Supplied By:

**TRENCHDRAIN
SUPPLY**

877-903-7246

www.trenchdrainsupply.com

